

NCSIMUL Machine

For realistic, high-performance CNC simulation

Maximise your productivity

How do you test a new CNC program?

- Do you run the program block-by-block?
- Do you waste time air cutting?
- Do you verify CNC programs using machinable wax?
- Do you modify your NC program during the prove-out?
- Do you experience collisions?
- Have you ever broken any fixtures, tools, or machine components?

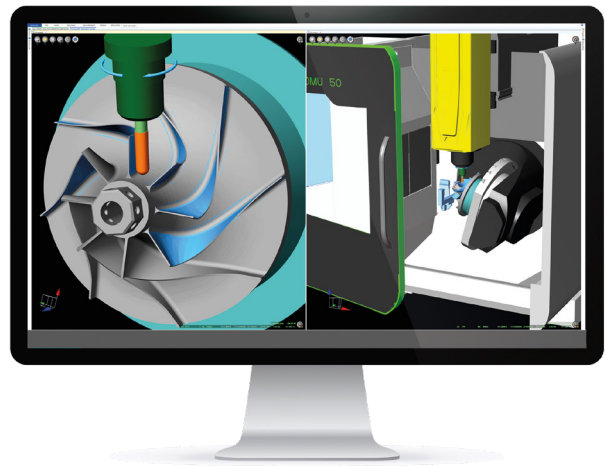
If you answered YES to any of the questions above, you need NCSIMUL Machine

Benefits of NCSIMUL Machine

- Test your program on a PC; keep your CNC machine running
- Eliminate manual prove-outs
- Secure your machine environment and avoid crashes
- Train new employees in shorter virtual sessions and eliminate risk
- Optimise cutting conditions and improve productivity
- Standardize shop floor documentation in no time and collaborate with your internal team, suppliers and customers
- SAVE time, money and equipment

Features

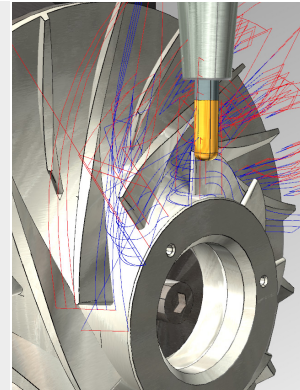
- Read and simulate any G-code and machine tool builder macros
- Preview tool path and detect errors before simulation
- Interact easily between 3D window, G-code program and information window
- Preview machine movements and material removal with graphical 3D technology and dynamic zoom capabilities
- No machine is too complex: NCSIMUL Machine supports an unlimited number of channels
- Launch all major verification tasks from a single screen
- Turnkey solution which includes machine license, service and support



Verify your CNC programs in three steps

1. Investigate to find and correct coding errors

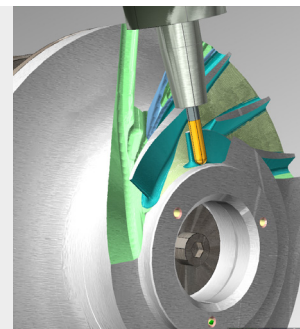
- Tool path preview before simulation
- G-code decoding including tool builder macros, probing macros system variables, structured programming
- Automatic detection and reporting of programming errors: G-code syntax, out-of-range motion and compensation errors
- Native link between 3D window, ISO program and reporting window
- Internal program editor for online correction
- Quick view of real-time CNC parameters: variables, status, etc.
- Precise calculation of real machining time



correct errors

2. Simulate to find and correct motion errors

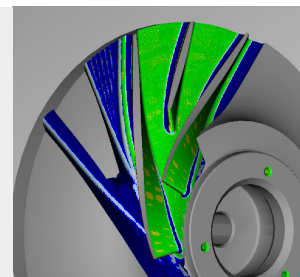
- Detect potential collisions and remove material
- Pan, rotate and zoom during simulation
- No file size limitation, from fine watch components to aircraft wings
- Report machining errors and avoid collisions: no rapid movements into material, no cutting material without spindle rotation
- Extensive troubleshooting in one simulation
- Reverse simulation with “on the fly” error correction



correct machining incident

3. Inspect your cut part

- Precise comparison between CAD model and rough stock
- Display gouging and surplus material
- Report on gouging and excess material problems
- Measurements: thickness, distance, drilling, internal turning diameter and radius
- Dynamic 3D sections of your results



error-free program

Maximise your productivity with NCSIMUL Machine

| Discover more at [ncsimul.com](https://www.ncsimul.com)